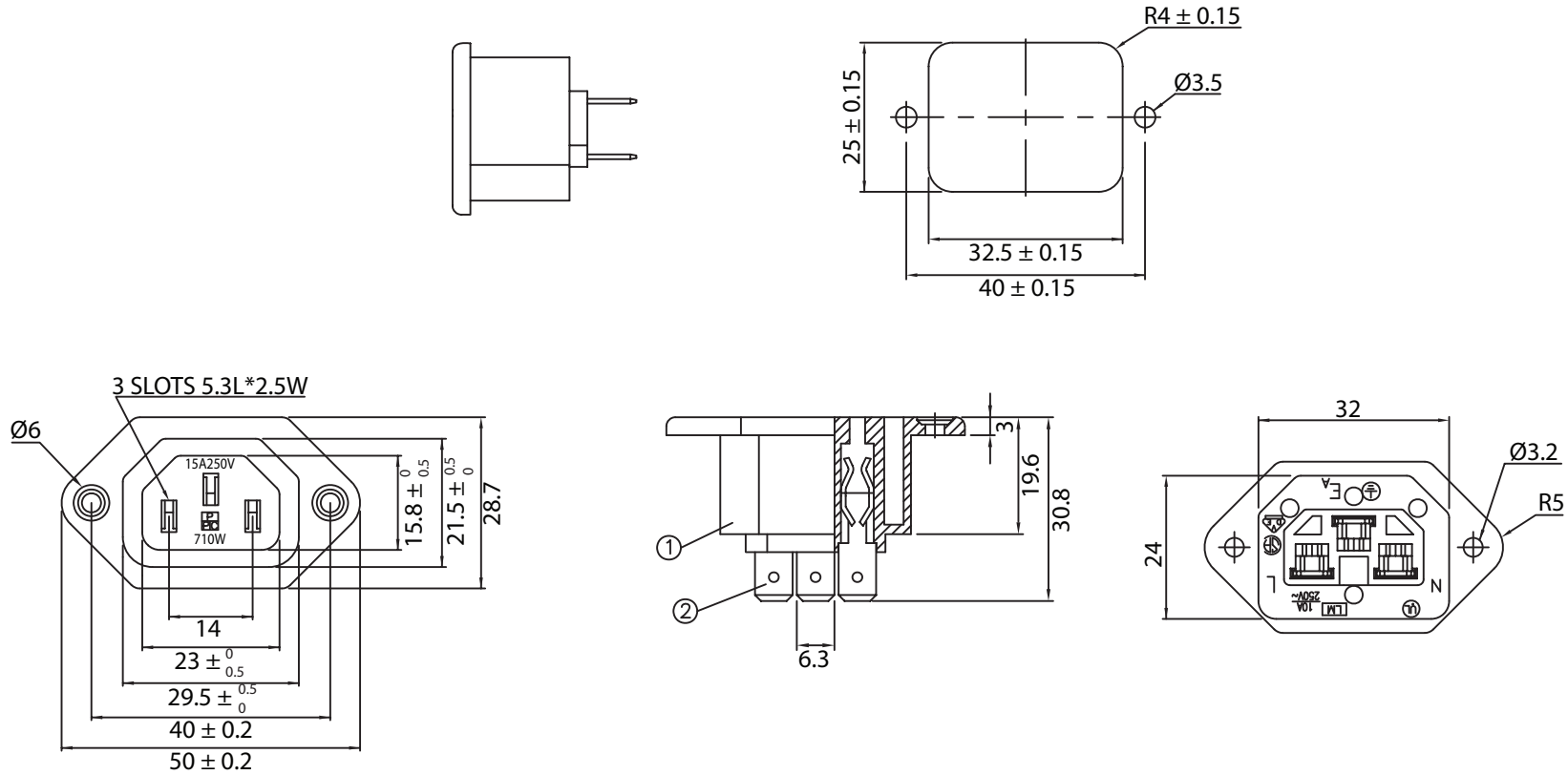


THESE DRAWINGS ARE THE PROPERTY OF QUALTEK ELECTRONICS AND NOT TO BE REPRODUCED FOR OR COMMUNICATED TO A THIRD PARTY WITHOUT THE EXPRESS WRITTEN PERMISSION OF AN OFFICER OF QUALTEK ELECTRONICS.

| REVISION | | | |
|----------|-----------------|----------|----------|
| REV. | DESCRIPTION | DATE | APPROVED |
| B | RoHS Compliancy | 06-01-06 | DP |
| | | | |
| | | | |



CONTROLLED

NOTES:

MATERIAL:

HOUSING: THERMOPLASTIC
 TERMINAL: COPPER ALLOY

RATING:

UL, CSA: 15A 250V AC
 VDE: 10A 250V AC

INSULATION RESISTANCE: OVER 100 OHM 500V DC

DIELECTRIC STRENGTH: 2000V AC ONE MINUTE

APPROVALS: UL, CSA, VDE

RoHS COMPLIANT

| | | | | |
|--|---|---|----------------|-----------------|
| 2 | Soldering PIN Brass Strip t=0.8mm NI-Plated | 3 | | |
| 1 | Body Insulator PBT Black | 1 | | |
| Dim range (mm) Tolerance +/- (mm) | | Qualtek Electronics Corp. PPC DIVISION | | |
| | | Part Number: 710W-00/03 RoHS Compliant | | |
| 0-1 | 0.15 | Description: AC RECEPTACLE | | |
| 1-6 | 0.20 | | | |
| 6-18 | 0.30 | | | |
| 18-50 | 0.50 | | | |
| 50-120 | 0.70 | | | |
| 120-250 | 0.90 | UNIT: mm | REV. B | |
| 250-500 | 1.20 | Drawn / Date | Checked / Date | Approved / Date |
| | | B.ZHANG 03-01-04 | 03-01-04 | JJH / 03-01-04 |